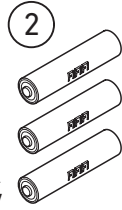
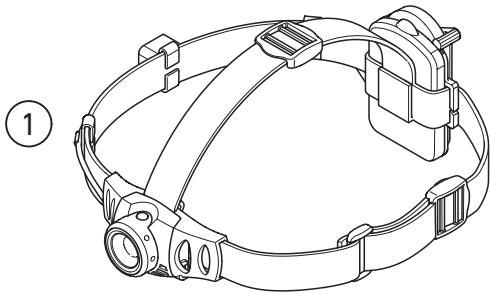


# LED LENSER® H6/H6R

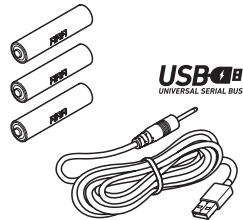
H6



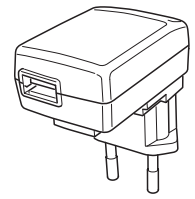
AAA  
1,5V  
Ni-MH

Item No. 0407

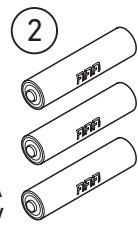
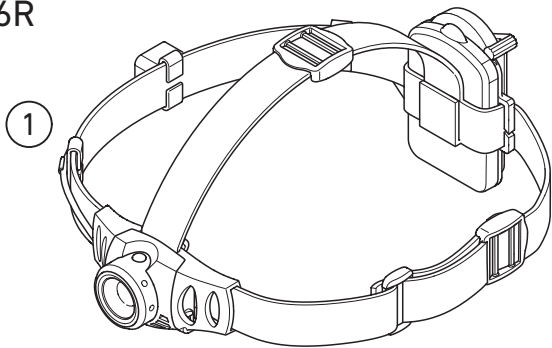
AAA  
1,2V  
Ni-MH



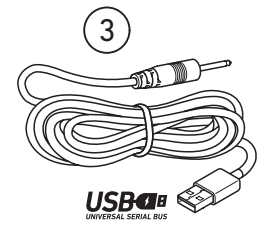
Item No. 0389



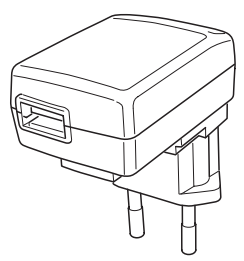
H6R



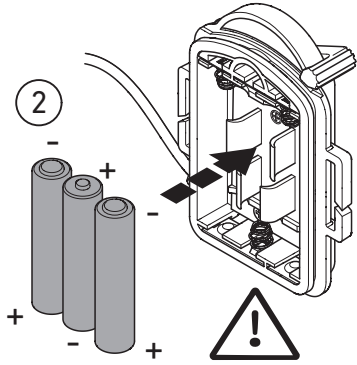
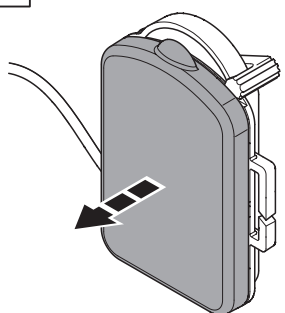
AAA  
1,2V  
Ni-MH



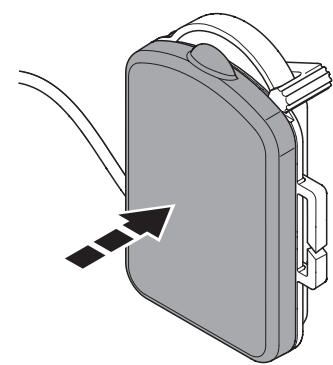
Item No. 0389



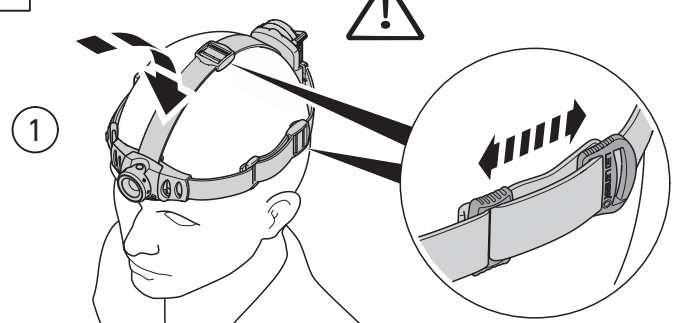
1 H6/H6R



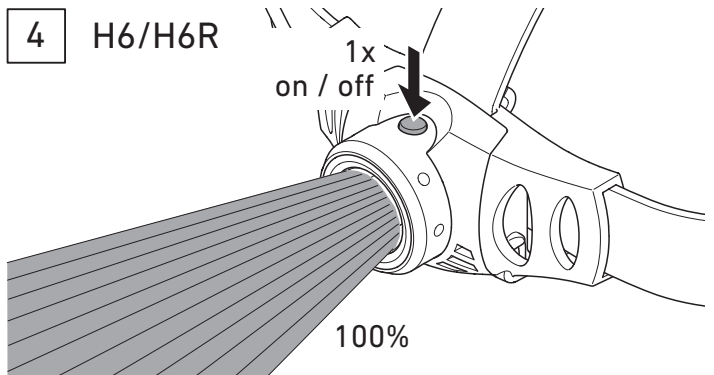
2 H6/H6R



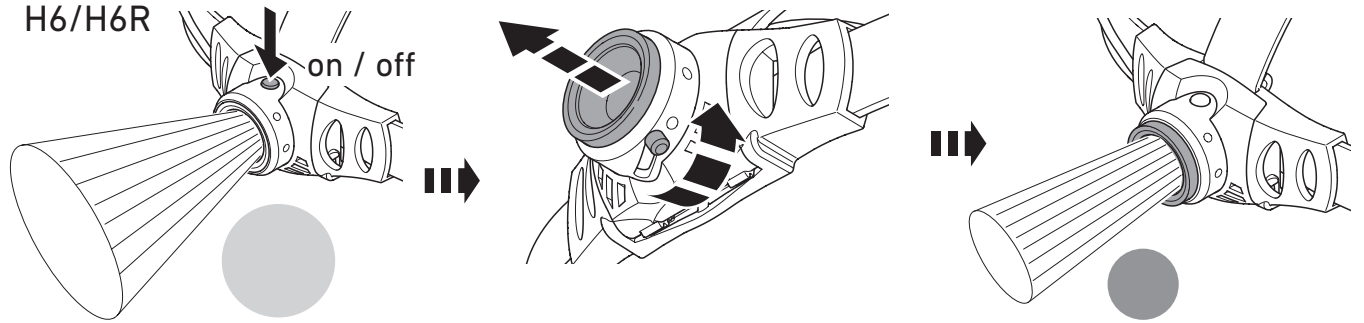
3 H6/H6R



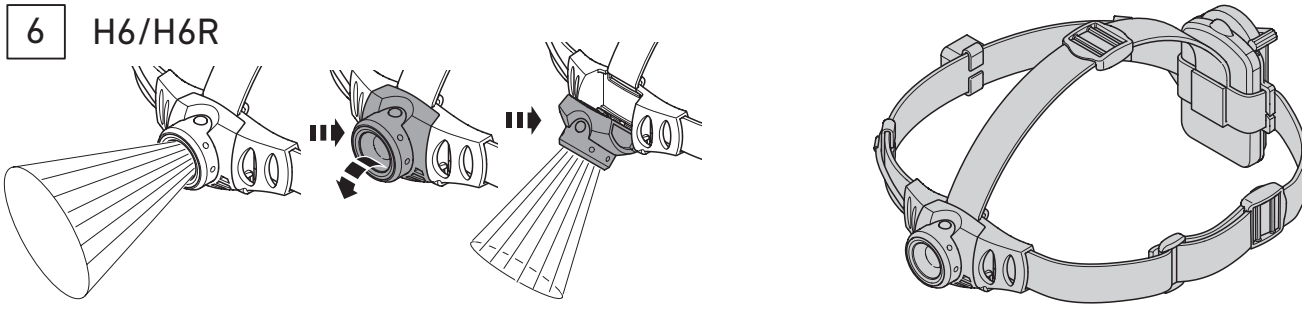
4 H6/H6R



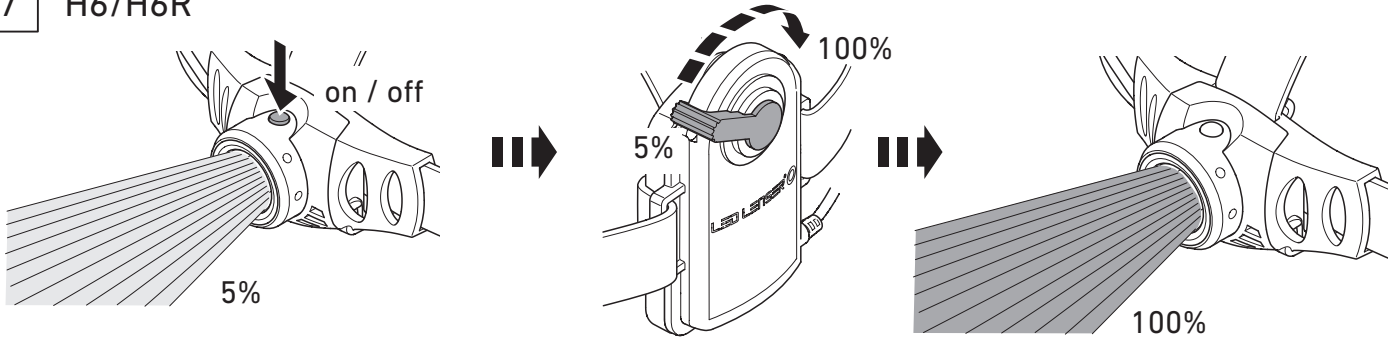
5 H6/H6R



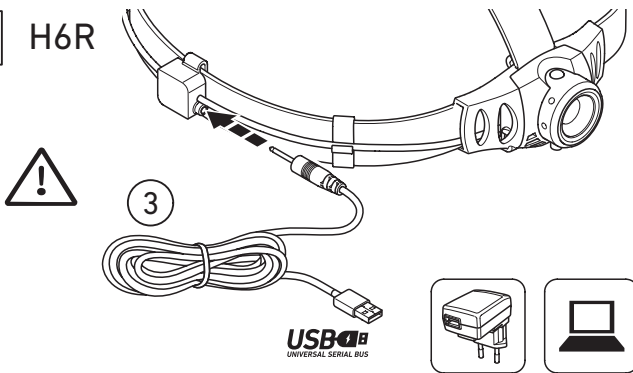
## 6 H6/H6R



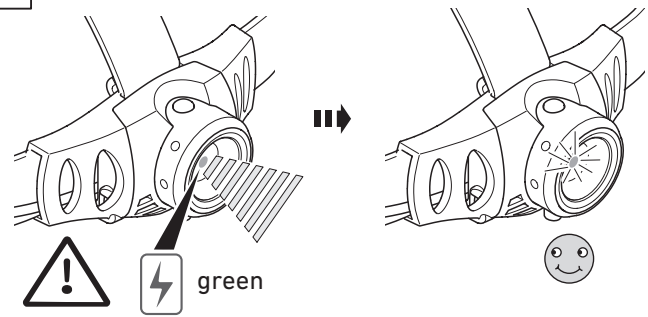
## 7 H6/H6R



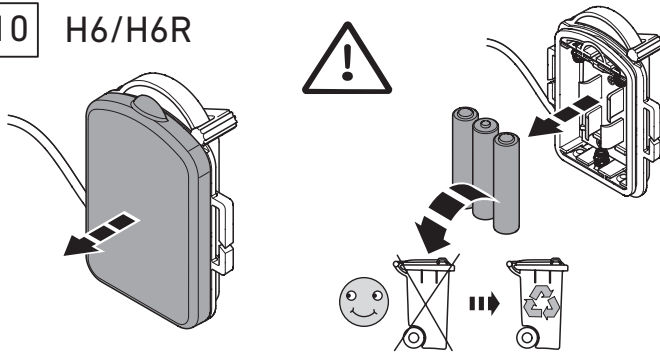
## 8 H6R



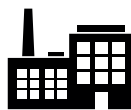
## 9 H6R



## 10 H6/H6R



[www.ledlenser.com](http://www.ledlenser.com)



ZWEIBRÜDER OPTOELECTRONICS GMBH & CO. KG  
 Kronenstr. 5-7 • 42699 Solingen • Germany  
 Tel. +49 (0)212/5948-0 • Fax +49 (0)212/5948-200  
 info@zweibrueder.com • www.zweibrueder.com